

Motion detector

IS 130-2

white

EAN 4007841 660314



Function description

Targeted detection all around the building. Infrared motion detector IS 130-2, for indoors and out, ideal for targeted detection close to the building, 130° angle of coverage, reach up to 12 m, selectable time and twilight threshold, sensor turns through 50° and tilts through 90° for exact adjustment of the detection zone.

Technical specifications

Type	Motion detectors	Time setting	8 s – 35 Min.
Dimensions (L x W x H)	87 x 78 x 110 mm	Switching output 1, resistive	600 W
Mains power supply	230 – 240 V / 50 Hz	Switching output 1, number of LEDs / fluorescent lamps	4 pcs.
Sensor Technology	passive Infrared	Capacitive load in µF	88 µF
Application, place	Outdoors, indoors	Constant-lighting control	No
Installation site	wall	Basic light level function	No
Installation	Surface wiring	Settings via	Potentiometers
Mounting height	1,80 – 3,00 m	With remote control	No
Reach, radial	r = 3 m (10 m ²)	Interconnection	Yes
Reach, tangential	r = 12 m (168 m ²)	Type of interconnection	Master/master
Detection angle	130 °	IP-rating	IP54
Angle of aperture	40 °	Material	Plastic
Switching zones	260 switching zones	Ambient temperature	-20 – 50 °C
Optimum mounting height	2 m	Application, room	outdoors, front door, all round the building, terrace / balcony, courtyard & driveway
Mechanical scalability	No	Colour	white
Sneak-by guard	Yes	Colour, RAL	9010
Capability of masking out individual segments	Yes	Manufacturer's Warranty	3 years
Electronic scalability	No	Version	white
Twilight setting TEACH	No	PU1, EAN	4007841660314
Twilight setting	2 – 2000 lx		

Motion detector

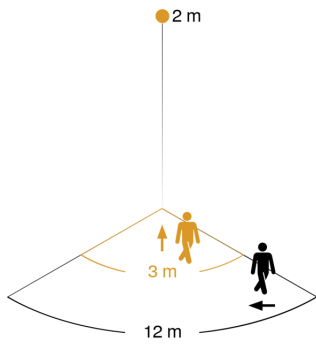
IS 130-2

white

EAN 4007841 660314



Detection Zone

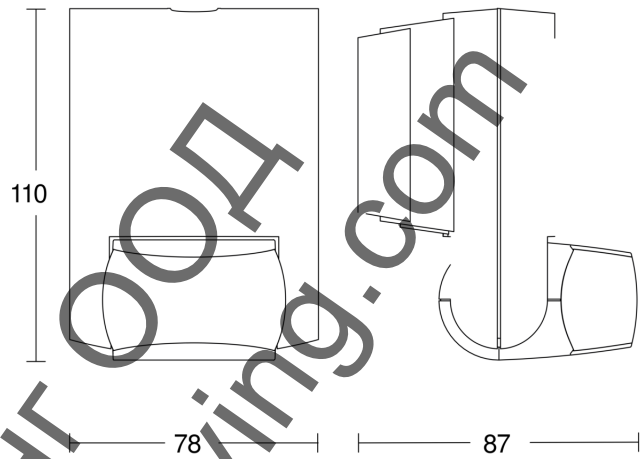


Mögliche Montagehöhe: 1,80 m – 3,00 m

Orange: radial

Schwarz: tangential

Dimension Drawing



Ташев-Галвинг
www.tashev-galving.com